



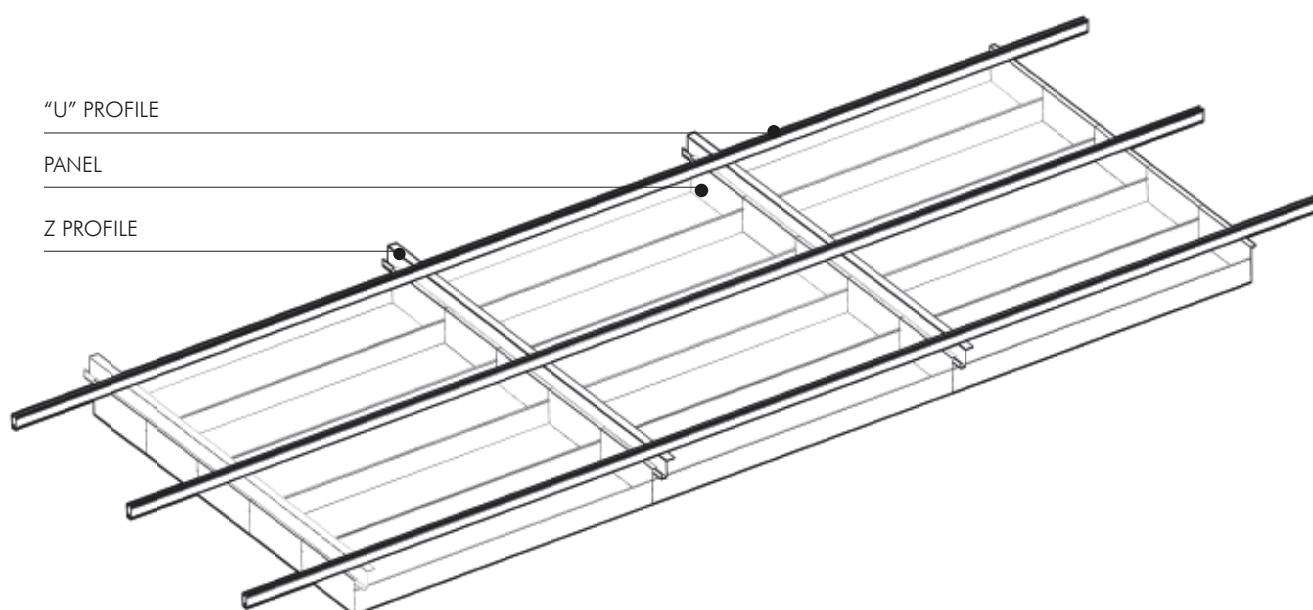
**PROFILSYSTEM**<sup>®</sup>

*Give life to your project*

**Docking System Open Space**



## Docking System Open Space



### Description

Docking system can also be declined in a continuous solution dedicated to open spaces.

The panel modifies its section slightly to guarantee perfect alignment during assembly.

The particularity of this system is the hidden double orthogonal structure that allows the panels to be mounted in a simple support.

Like the Corridor System the structure consisting of Z profile connected to the U profile. This structure therefore allows to easily solve the points in which the corridor and the open space are contiguous.

### Main features

#### Panel module

-Mod. Docking System: custom\*

-Coil coated Steel:  
RAL 9010, 9003, 9006

-Powder coated Steel:  
RAL 9010, 9003, 9006

-Coil coated Aluminum:  
RAL 9003,9006

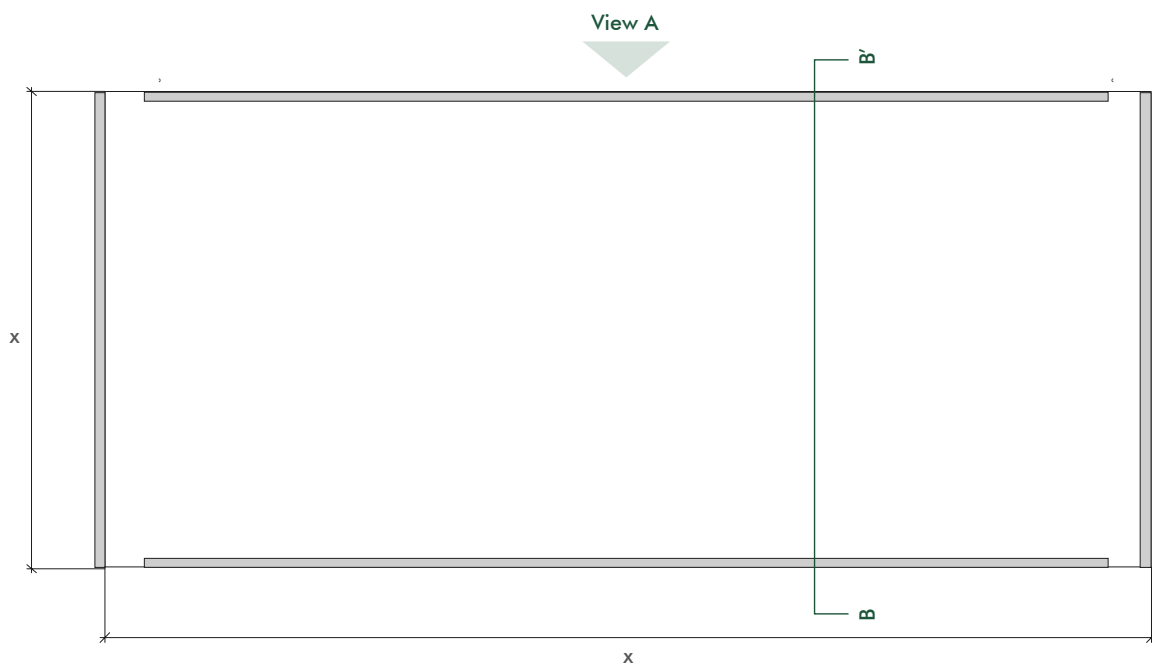
(other RAL colours available  
on request)

#### Material and Colour

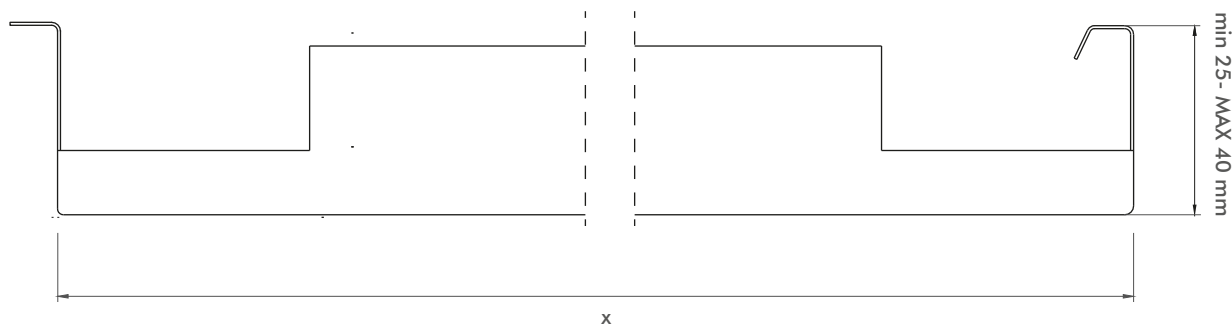
#### Sound absorption

TNT black

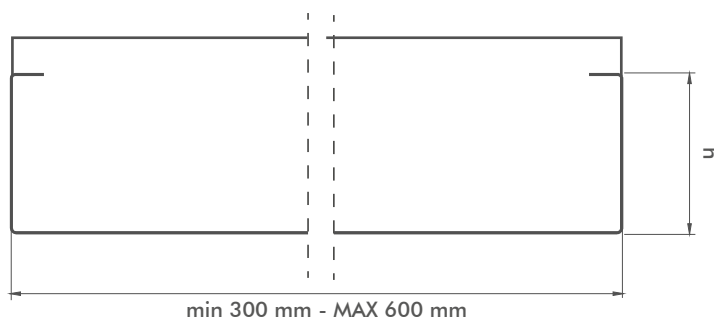
**Docking System Corridor**



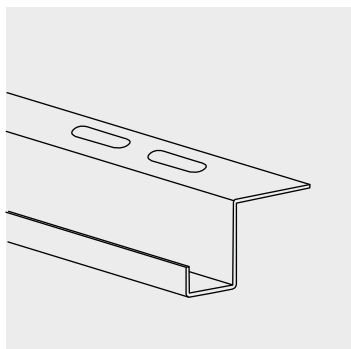
**View A**



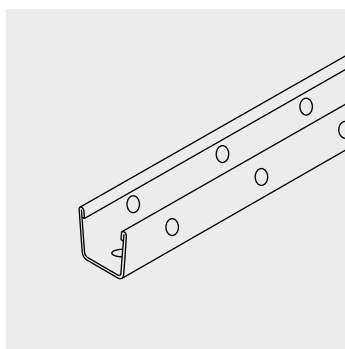
**Section B- B'**



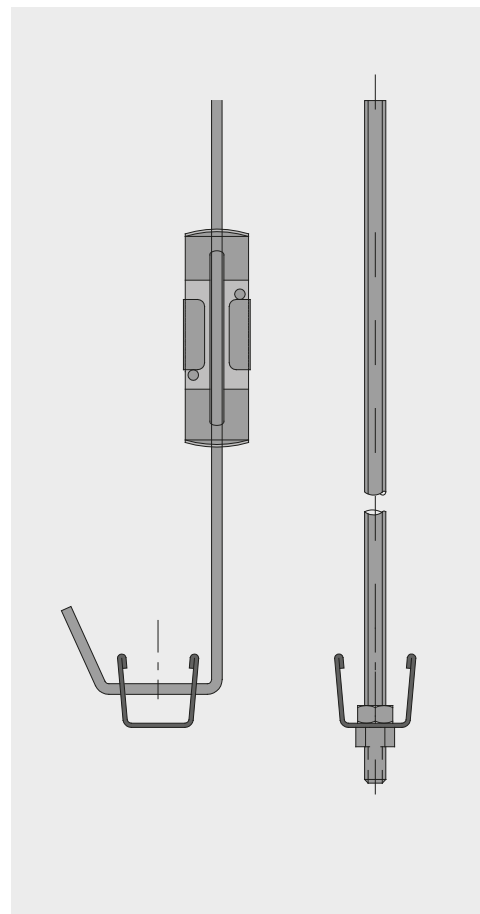
## Docking System Open Space



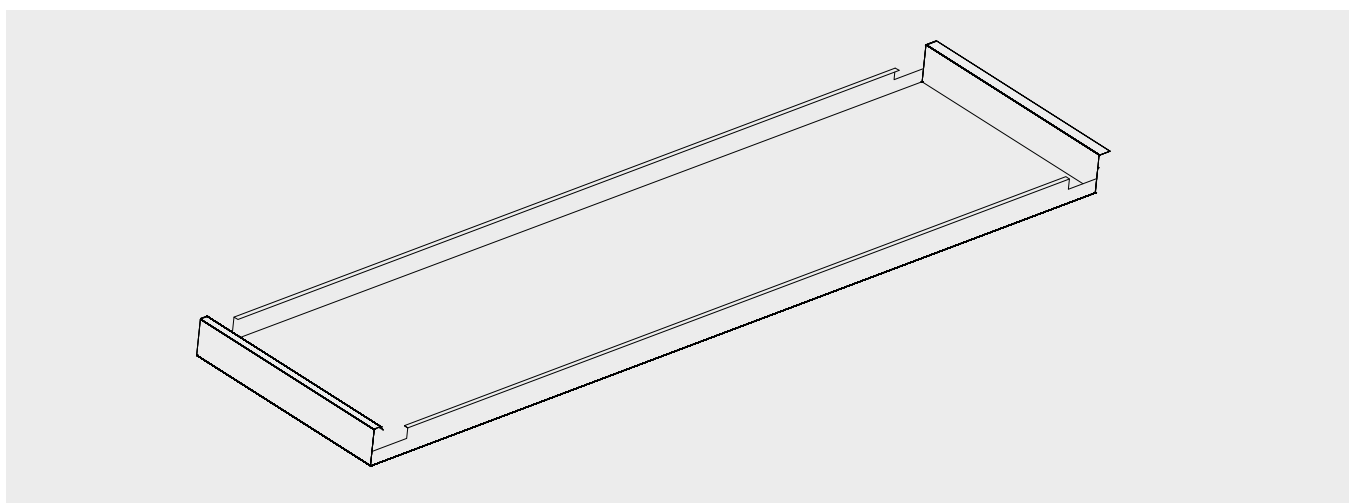
Z PROFILE



"U" PROFILE

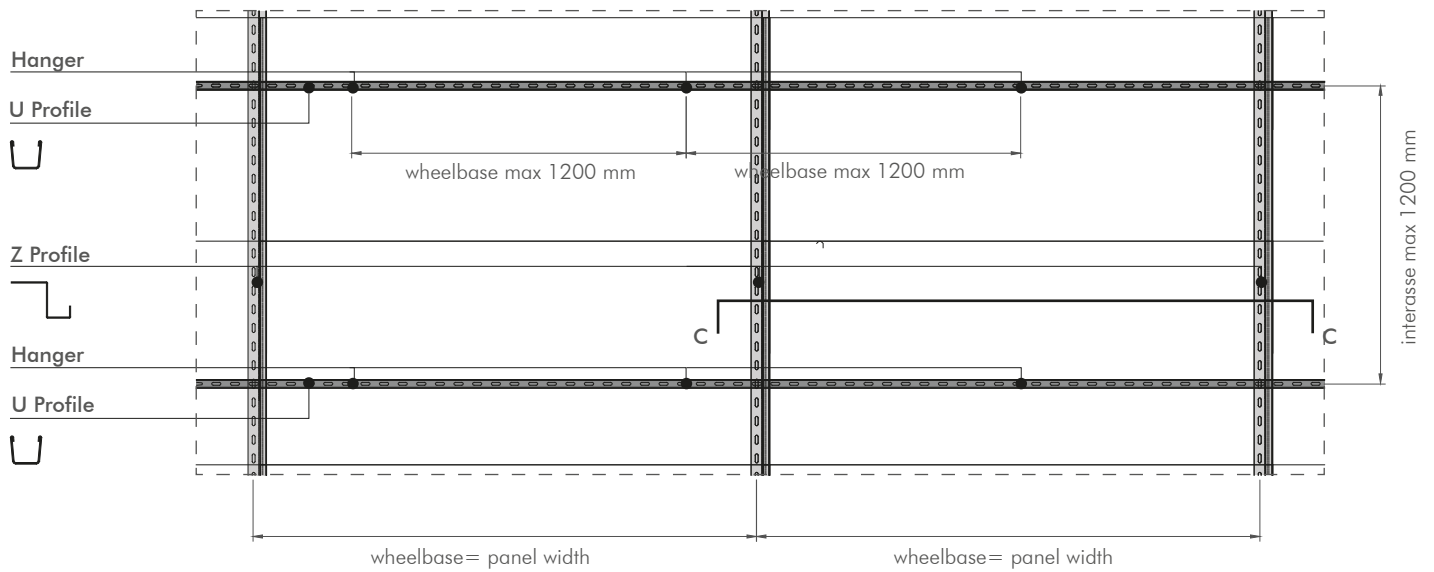


SUSPENDING SYSTEM

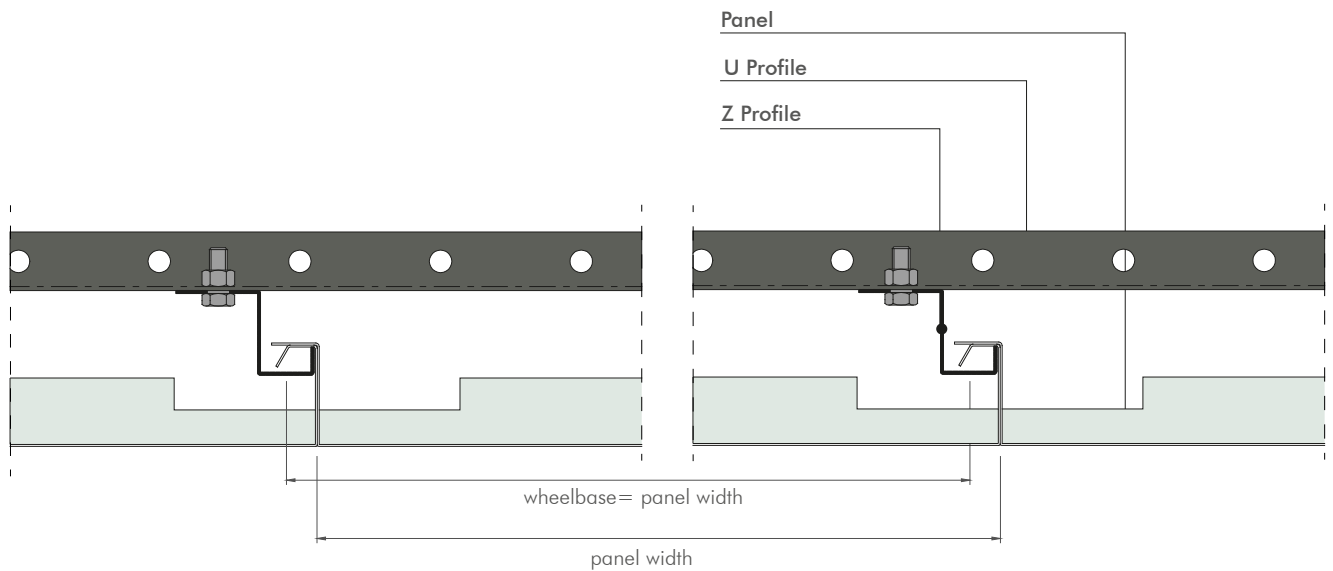


PANEL

## Docking System Open Space



\*all wheelbase indicated are to be verified according to the load per m<sup>2</sup>



## Performance and technical data



Perforation  
type



$\alpha_w$ \*



Classe\*\*



Recycled  
content (%)\*\*\*



Reaction to  
fire class\*\*\*\*



%RH

Perforation type	$\alpha_w$ *	Classe**	Recycled content (%)***	Reaction to fire class****	%RH
Panel not perforated	0,10	NC	<30	A1	95
R0701	0,55	D	<30	A1	95
R1511	0,70	C	<30	A1	95
R211	0,70	C	<30	A1	95
R2516	0,75	C	<30	A1	95
D1522	0,75	C	<30	A1	95
D222	0,70	C	<30	A1	95
Acoustic R1511	1,00	A	≤30	A1	95
Acoustic D1522	1,00	A	≤30	A1	95

\* including non-woven fabric (black TNT) certified and hot applied.

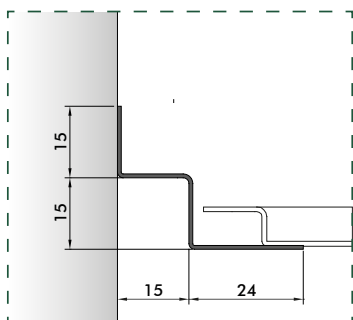
\*\* according to EN ISO 11654

\*\*\* please note that all aluminum and steel products are 100% recyclable.

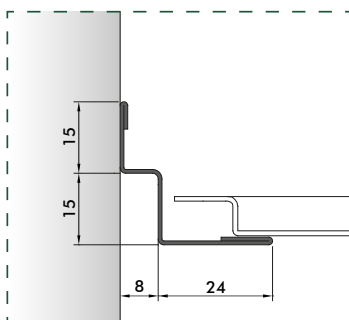
\*\*\*\* Intended use of the product according to EN13964: 2014 / A1: 2006: Components of suspended ceiling membranes for internal use in buildings. System of assessment and verification of constancy of performance of the construction product: SYSTEM 3.

\*\*\*\*\* for any other technical information, please contact our sales or technical office.

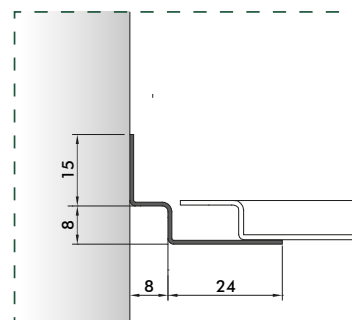
**Perimetral's details**



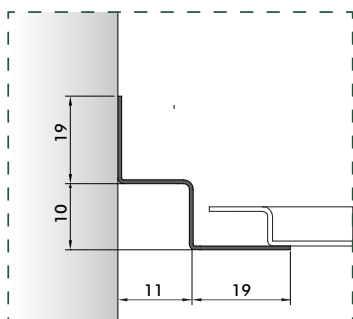
P11\_L 3000 mm



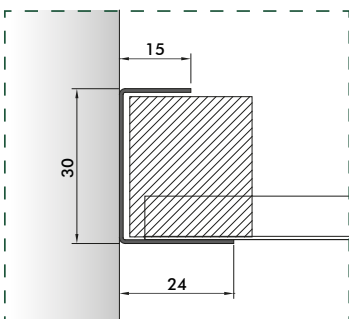
P11/A\_L 3050 mm



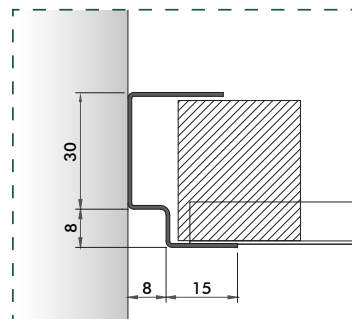
P12\_L 3000 mm



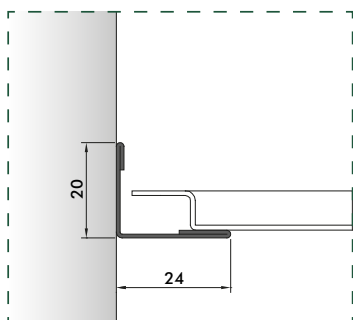
P15/A\_L 3000 mm



P10\*\_L 3000 mm



P13\*\_L 3000 mm



P2\_L 3000 mm

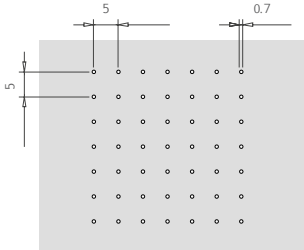
Each profile can be achieved with customized section in according to customer's requests.

\* Supplied on request with polystyrene to maintain in the form the cut panel (supplied not pre-assembled)

## Perforation Options

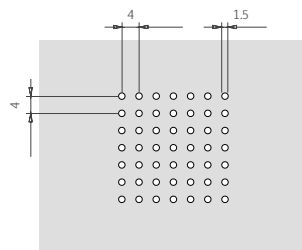
### Regular

**R0701**



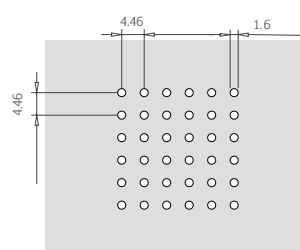
aw 0.55 - EXTRA MICRO PERFORATION  
 Diameter : 0.7 mm  
 Perforation area : regular central or total  
 Inter-axes : 5x5 mm  
 Perforation surface : 1.5% approx.

**R1511**



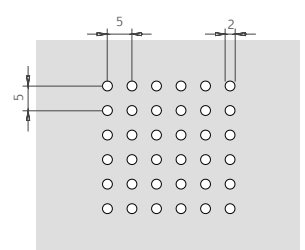
aw 0.70 - MICRO PERFORATION  
 Diameter: 1.5 mm  
 Perforation area: regular central or total  
 Inter-axes: 4x4 mm  
 Perforation surface: 11% approx.

**R1610**



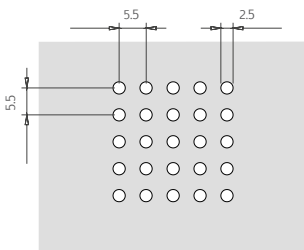
Diameter: 1.6 mm  
 Perforation area: regular central or total  
 Inter-axes: 4.46x4.46 mm  
 Perforation surface: 10% approx.

**R211**



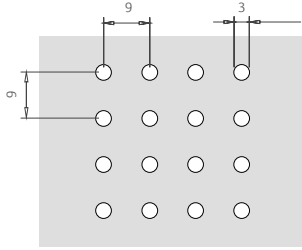
aw 0.70  
 Diameter: 2 mm  
 Perforation area: regular central or total  
 Inter-axes: 5x5 mm  
 Perforation surface: 11% approx.

**R2516**



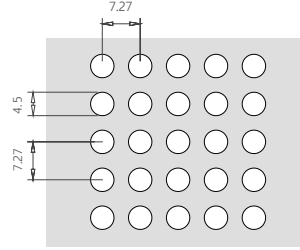
aw 0.75  
 Diameter: 2.5 mm  
 Perforation area: regular central or total  
 Inter-axes: 5.5x5.5 mm  
 Perforation surface: 16% approx.

**R308**



Diameter: 3 mm  
 Perforation area: regular central or total  
 Inter-axes: 9x9 mm  
 Perforation surface: 8% approx.

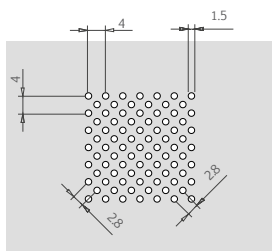
**R4530**



Diameter: 4.5 mm  
 Perforation area: regular central or total  
 Inter-axes: 7.27x7.27 mm  
 Perforation surface: 30% approx.

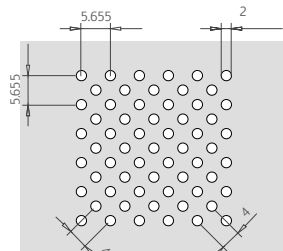
### Diagonal

**D1522**



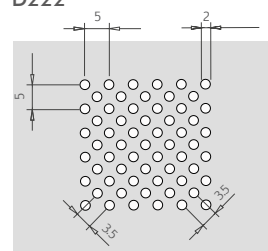
aw 0.75 - MICRO PERFORATION  
 Diameter: 1.5 mm  
 Perforation area: diagonal central or total  
 Inter-axes: 4x4 mm  
 Perforation surface: 22% approx.

**D220**



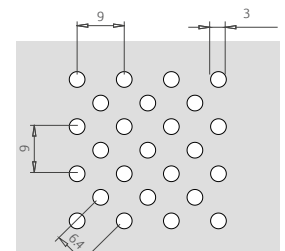
Diameter: 2 mm  
 Perforation area: diagonal central or total  
 Inter-axes: 5.655x5.655 mm  
 Perforation surface: 20% approx.

**D222**



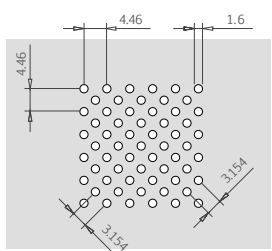
aw 0.70  
 Diameter : 2 mm  
 Perforation area: diagonal central or total  
 Inter-axes: 5x5 mm  
 Perforation surface : 22% approx.

**D316**



Diameter: 3 mm  
 Perforation area: diagonal central or total  
 Inter-axes: 9x9 mm  
 Perforation surface: 16% approx.

**D1620**



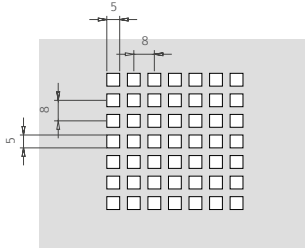
Diameter: 1.6 mm  
 Perforation area: diagonal central or total  
 Inter-axes: 4.46x4.46 mm  
 Perforation surface: 20% approx.



## Perforation Options

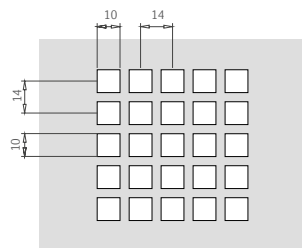
### Square

**Q540**



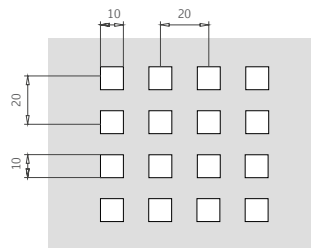
Hole: 5x5 mm  
Perforation area: regular central or total  
Inter-axes: 8x8 mm  
Perforation surface: 40% approx.

**Q1045**



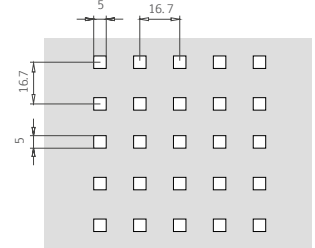
Hole: 10x10 mm  
Perforation area: regular central or total  
Inter-axes: 14x14 mm  
Perforation surface: 45% approx.

**Q1020**



Hole: 10x10 mm  
Perforation area: regular central or total  
Inter-axes: 20x20 mm  
Perforation surface: 20% approx.

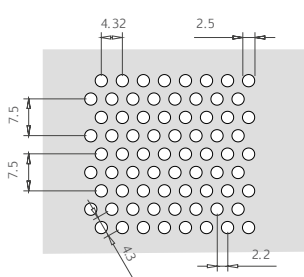
**Q509**



Hole: 5x5 mm  
Perforation area: regular central or total  
Inter-axes: 16.7x16.7 mm  
Perforation surface: 9% approx..

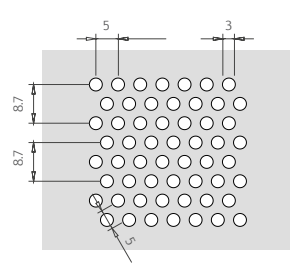
### Hexagonal

**E2530**



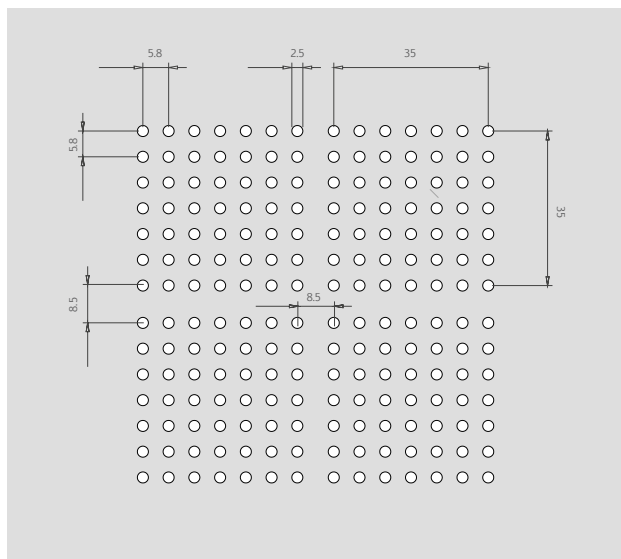
Diameter: 2.5 mm  
Perforation area: diagonal central or total  
Inter-axes: 4.3x7.5 mm  
Perforation surface: 30% approx.

**E332**



Diameter: 3 mm  
Perforation area: diagonal central or total  
Inter-axes: 5x8.7 mm  
Perforation surface: 32% approx.

**04/5,5x5,5**



Diameter: 2.5 mm  
Perforation area: regular 35x35 mm  
Inter-axes: 8.5 mm  
Perforation surface: 15% approx.

## General informations

### Technical standards

All Profilsystem products are CE marked according to EN 13964. They are also accompanied by the Declaration of Performance (D.O.P.) as required by European regulation 305/11 concerning the placing of construction products on the market.

For applications in particularly aggressive environments such as swimming pools, industrial installations with chemical and / or corrosive fumes, check the most suitable material and surface treatment with the technical or commercial office of Profilsystem.

### Storage

All products are carefully packed and placed on special pallets and secured by strapping and film wrapping. On request we can provide the package complete of cardboard corners, bubble wrap and polystyrene to reduce the risks during transport.

It is always recommended to handle all packaging with the most care, avoiding shocks and practices that damage the contents. The packed material is stored in closed, clean and dry places until the time of pick-up.

Do not expose filmed products to heat sources and do not leave them under the sun.

### Installation

The metal ceiling are installed manually by the installer depending on the type and model you choose.

The material should be stored in closed, clean and dry places until the time of installation.

Do not rest on the ground and not leave the products on site without the original package issued at the time of delivery.

Avoid the contact between material and water, solvents, degreasers and aggressive liquids.

### Cleaning and Maintenance

Metal ceilings, thanks to the easy washing and cleaning are also a guarantee in terms of hygiene.

To remove dust, stains or smudges you can use carefully a clean, dry cloth or moistened with neutral detergent, or non-abrasive and non-aggressive disinfectants.



Give life to your project

## ITALY

### Head quarter & showroom

Via Don Luigi Sturzo,3 - 20822 Seveso (MB) Italy  
tel: +39 0362 625652 - fax: +39 0362 306733  
[www.profilsystem.com](http://www.profilsystem.com)

## DUBAI

### Sales offices & showroom

TOP 27 CONSULTING JLT  
Office 3205 - JBC2  
Cluster V - JLT  
Dubai - United Arab Emirates  
[middleeast@profilsystem.com](mailto:middleeast@profilsystem.com)

## CHILE

### Sales offices & showroom

COMERCIAL E.V.A. Limitada  
Avenida La Dehesa 1844  
Oficio 714  
Lo Barnechea, Santiago de Chile  
tel: +59 9 51599037  
[info@nenzi.cl](mailto:info@nenzi.cl)

## SPAIN

### Sales offices & showroom

PROFILSYSTEM EPC  
Techos de Aluminio  
C/ Lluís Companys, 52  
08810 Sant Pere de Ribes, Barcelona  
tel: +34 666 431 921  
[info@profilsystem.es](mailto:info@profilsystem.es)

## Our offices are at your disposal

### SALES OFFICE ITALY:

Elis Zappino  
[elis@profilsystem.com](mailto:elis@profilsystem.com)  
Skype ID [elis.zappino](#)

Dott. Riccardo Ghezzi  
[riccardo@profilsystem.com](mailto:riccardo@profilsystem.com)  
Skype ID [ghezziriccardo](#)

### EXPORT OFFICE:

Dott. Alexa Maj  
[export@profilsystem.com](mailto:export@profilsystem.com)  
Skype ID [Alexa Maj](#)

### TECHNICAL OFFICE:

Arch. Manuela De Cristofaro  
[tecnico@profilsystem.com](mailto:tecnico@profilsystem.com)  
Skype ID [Manuela De Cristofaro](#)

### SHIPPING OFFICE:

Chiara Talon  
[chiara.talon@profilsystem.com](mailto:chiara.talon@profilsystem.com)  
Skype ID [talon.chiara](#)